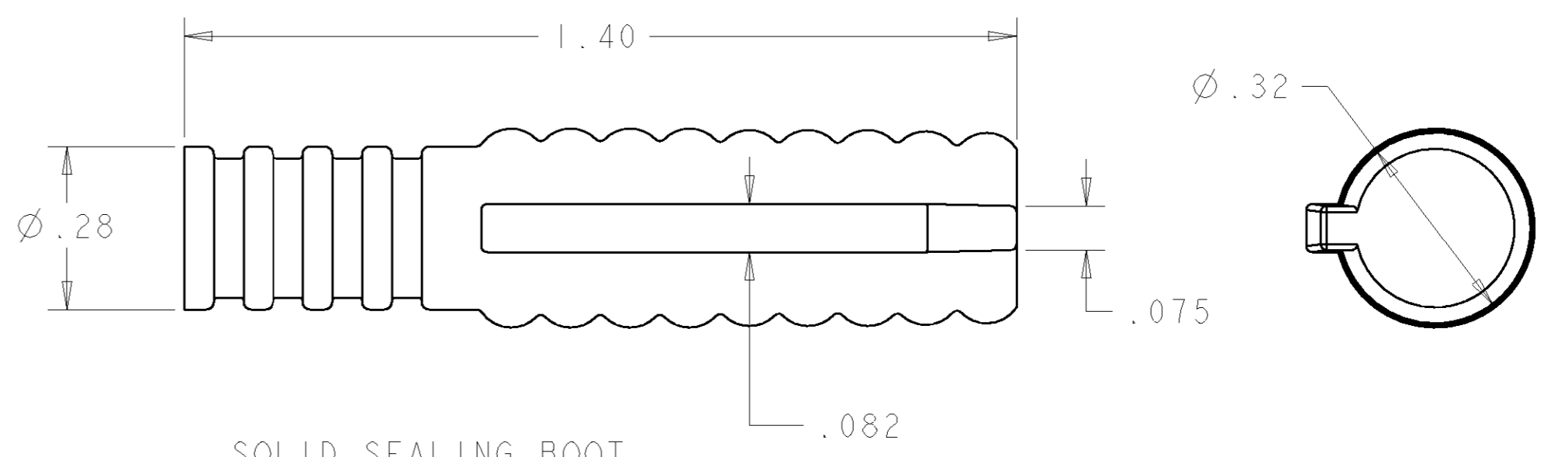
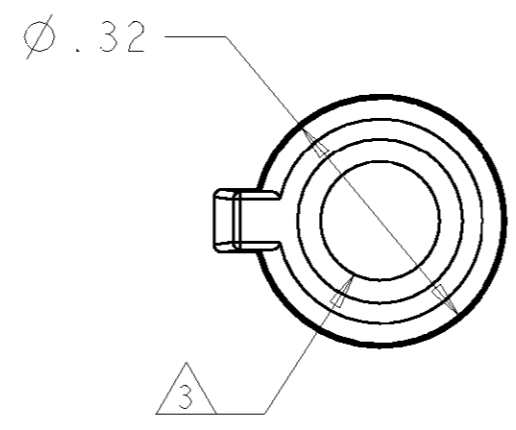
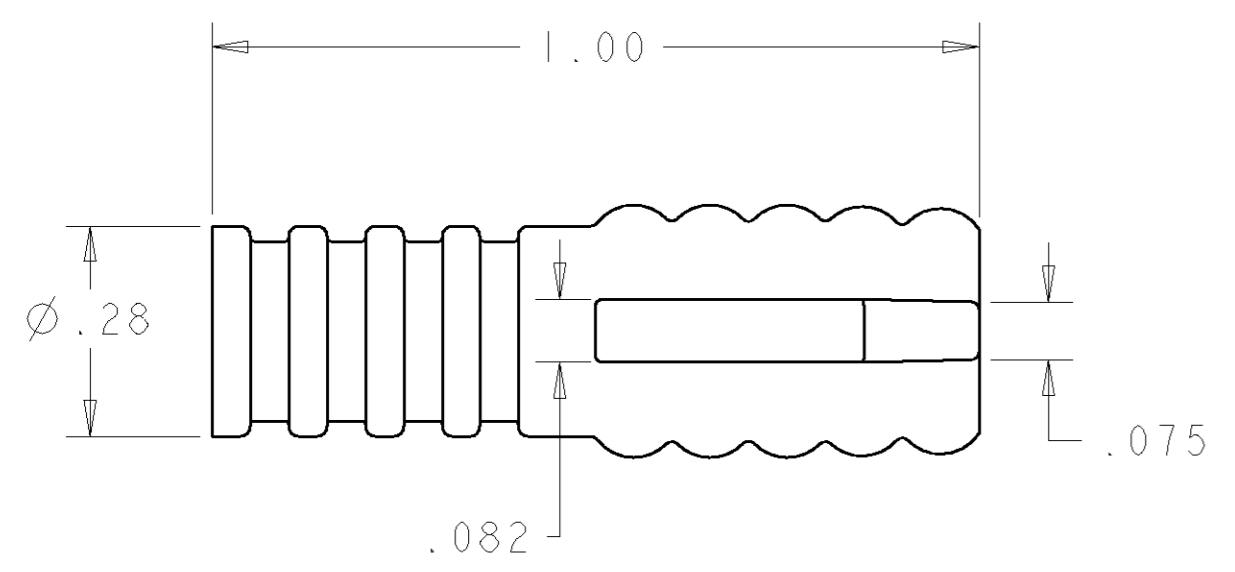
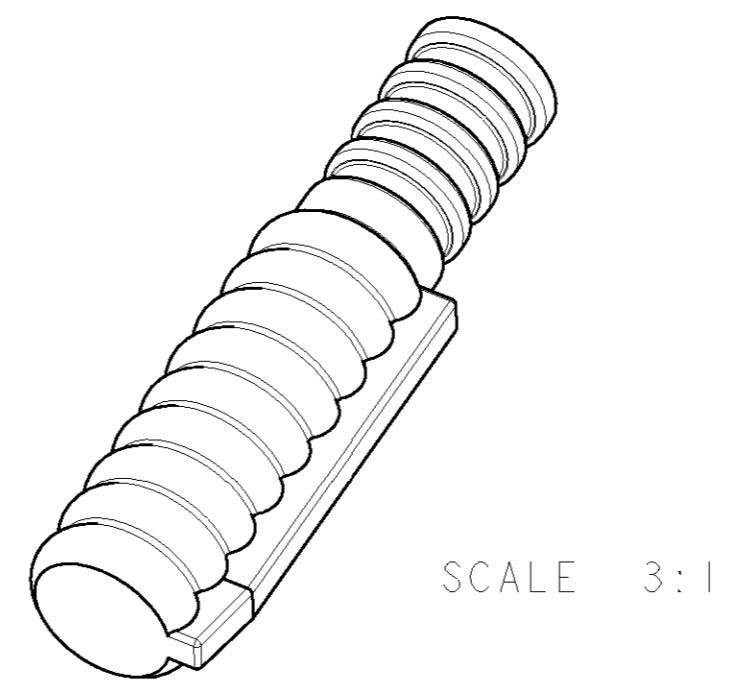
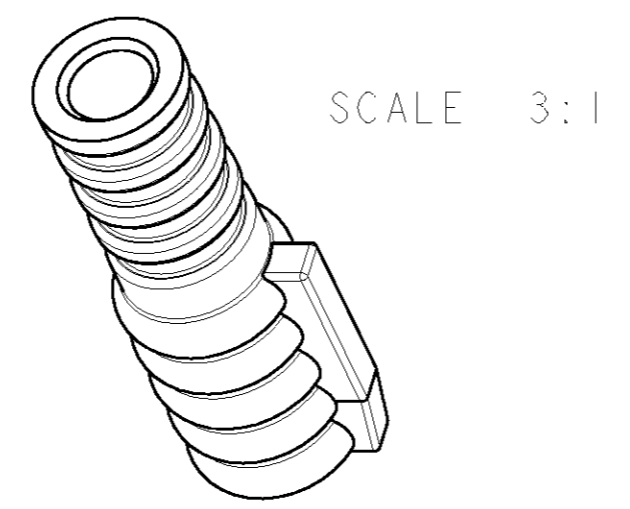


THIS DRAWING IS UNPUBLISHED. RELEASED FOR PUBLICATION 20
 © COPYRIGHT 20 BY TYCO ELECTRONICS CORPORATION. ALL RIGHTS RESERVED.

LOC	DIST	REVISIONS					
DF	A5	P	LTR	DESCRIPTION	DATE	DWN	APVD
		0		RELEASED PER 0H14-0309-04	27APR2004	BY	WB



WIRE SEAL BOOT
 FOR QUAD CABLE
 PACKAGED IN QUANTITY
 AS PART NUMBERS
 1604872-3, (QTY=10)
 1604872-4, (QTY=100)
 1604872-5 (QTY=1000)

SOLID SEALING BOOT
 PACKAGED IN QUANTITY
 AS PART NUMBERS
 1604872-6 (QTY=10)
 1604872-7 (QTY=100)
 1604872-8 (QTY=1000)

4	PACKAGE QUANTITY	DESCRIPTION	PART NUMBER
1000	SOLID SEALING BOOT	1604872-8	
100	SOLID SEALING BOOT	1604872-7	
10	SOLID SEALING BOOT	1604872-6	
1000	WIRE SEAL FOR QUAD CABLE	1604872-5	
100	WIRE SEAL FOR QUAD CABLE	1604872-4	
10	WIRE SEAL FOR QUAD CABLE	1604872-3	

- 1 MATERIAL: SELF LUBRICATING SILICONE RUBBER PER ZZ-R-765.
- 2. COLOR: RED
- 3 INSIDE DIAMETER TO SEAL OFF ON .145-.175 INCH OUTSIDE DIAMETER CABLE
- 4 PARTS PACKAGED IN POLY BAGS IN QUANTITY PER TABLE.

DIMENSIONS: INCHES		TOLERANCES UNLESS OTHERWISE SPECIFIED:	
0 PLC	±	1 PLC	±
1 PLC	±	2 PLC	±.01
2 PLC	±.01	3 PLC	±.005
3 PLC	±.005	4 PLC	±
4 PLC	±	ANGLES	±
MATERIAL	1	FINISH	-

DWN B.D.YOHN 27APR2004		Tyco Electronics	
CHK W.BERNHART 27APR2004		Harrisburg, PA 17105-3608	
APVD W.BERNHART 27APR2004		NAME BOOT, SEAL, WIRE, QUADRAX	
PRODUCT SPEC -		SIZE A2	
APPLICATION SPEC -		CAGE CODE 00779	
WEIGHT -		DRAWING NO. 1604872	
CUSTOMER DRAWING		RESTRICTED TO -	
SCALE 4:1		SHEET 1 OF 1	
		REV 0	